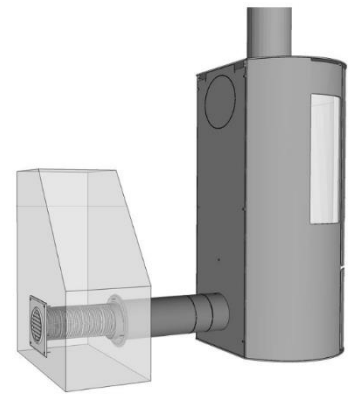


ADURO FRESH AIR KIT

Newly build houses are much better insulated than they were just 10 years ago. New buildings are often low energy houses with ventilation systems and powerful kitchen aspirator which can reduce the draft of the installation.

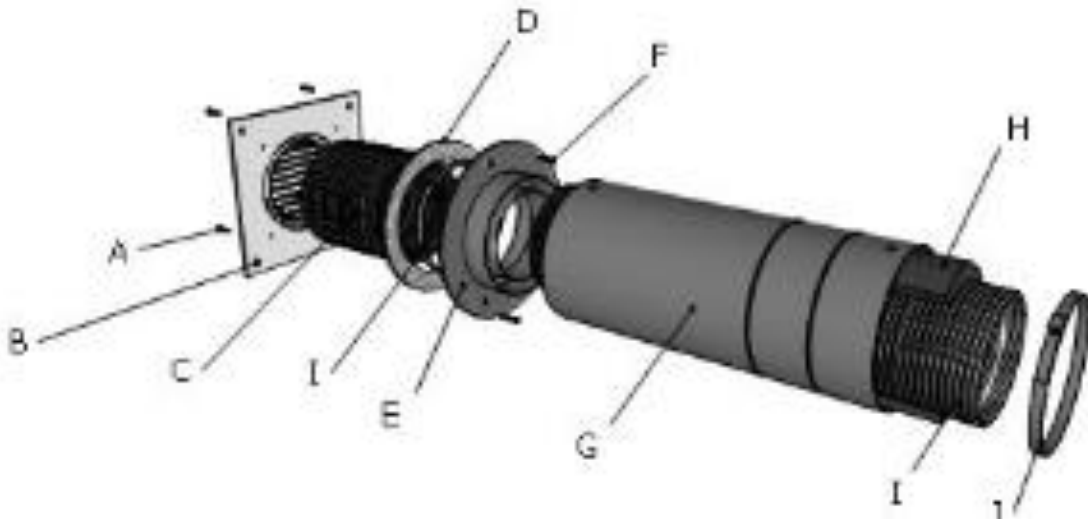
Aduro has made the Aduro Fresh Air Kit for the Aduro stoves with external air intake. The air for the combustion is lead directly from external source to the stove, which secures air for combustion.

In this guide we will explain the content of the Fresh Air kit and how to install it on the your stove. Please read the manual of the stove to see different ways of installation.



Aduro Fresh Air Kit

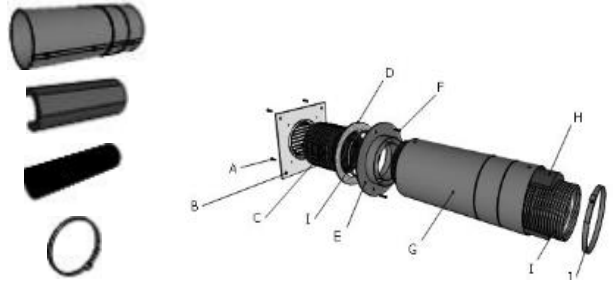
THE KIT CONTAINS ALL PARTS NECESSARY FOR AN INSTALATION ON THE BACK OF THE STOVE



- A. External stainless screws - 4 pcs.
- B. External PVC grit for an external wall
- C. Flexible pipe, Ø 125 mm, 50 cm
- D. Condense packing
- E. Coupling for the wall
- F. Black head interior screws



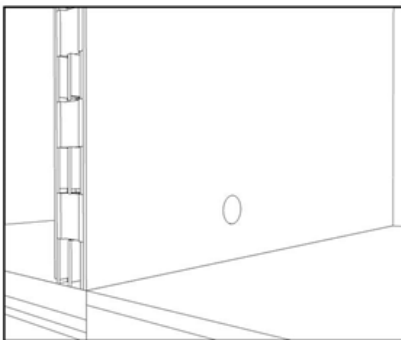
- G. Pipe cover made of steel, adjustable
- H. Anti-condense insulation mat
- I. Flexible pipe, Ø 80 mm, 50 cm
- J. Clamps – 2 pcs.



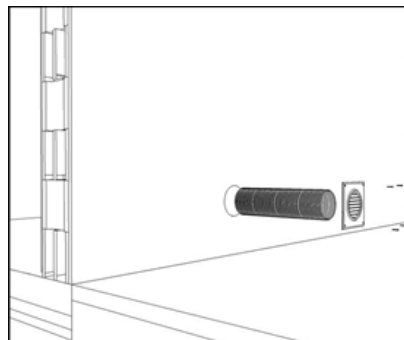
Content of Aduro Fresh Air Kit

HOW TO INSTALL THE FRESH AIR KIT

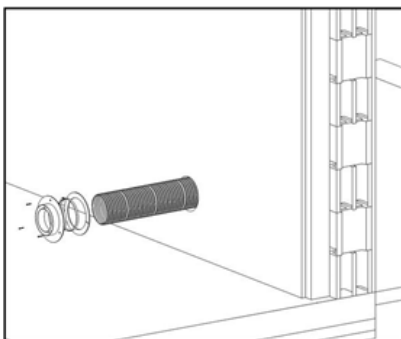
1. Make a hole, Ø 130 mm, through the wall
2. Take the flexible pipe, Ø 125 mm, and push it through the hole in wall into the room for which the stove is intended. Place the grit to cover the hole and tighten the 4 screws.
3. Go to the room of the stove. Put the wall seal, around the pipe at the wall end, put coupling for the wall into the pipe and tighten the clamps. Push the flexible pipe against the wall and tighten the 3 screws.
4. Click the 80 mm flexible pipe on the coupling.



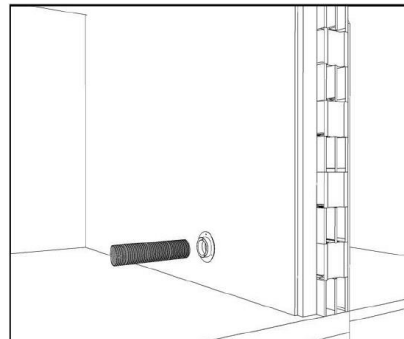
1.



2.

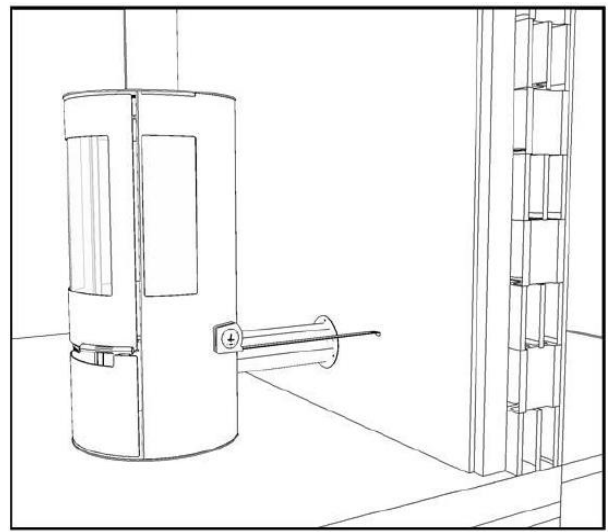
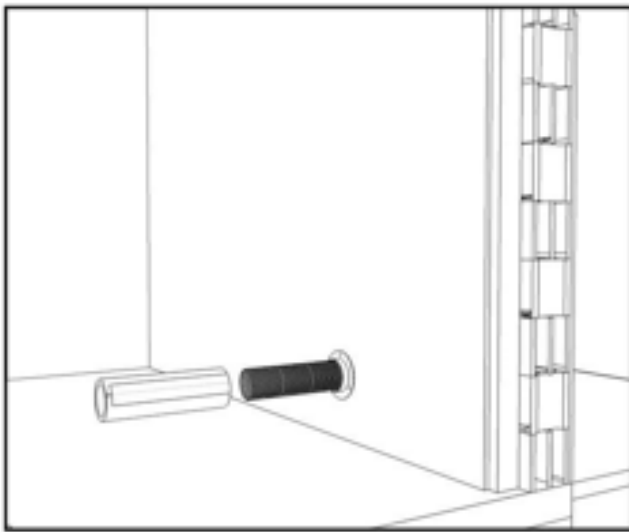


3.

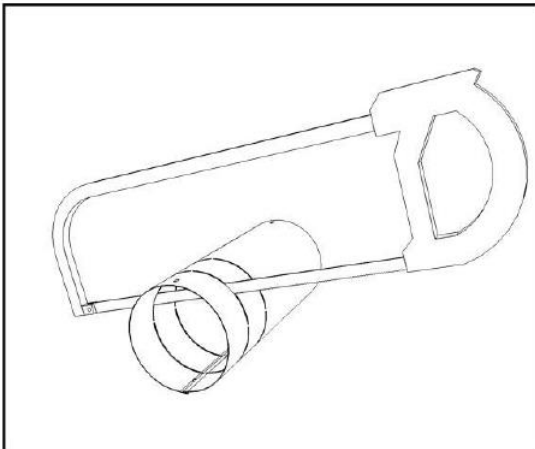


4.

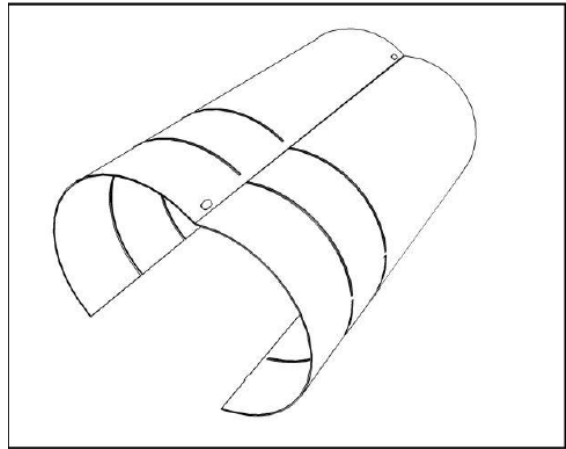
5. Place the anti-condense insulation mat around the 80 mm pipe.
6. Place the stove as intended. Remove the drawer if the stove has one and connect the pipe to connecting pipe. The connecting pipe has an external diameter of 78 mm. If the pipe work is further than 1 m the pipe diameter must be increased to 100 mm and a correspondingly larger wall valve must be chosen.
7. Measure the distance from the stove to wall.



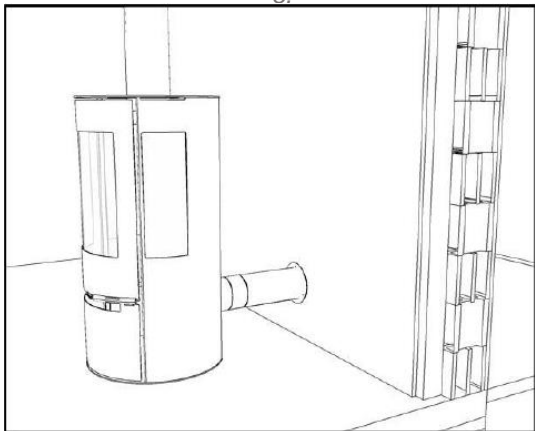
8. Cut the pipe cover of steel so it fits the distance the wall.
9. Open the cover
10. Put it around the 80 mm pipe
11. Aduro Fresh Air Kit successfully installed



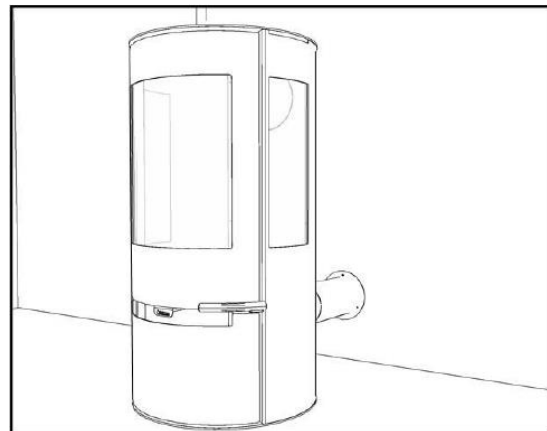
8.



9.

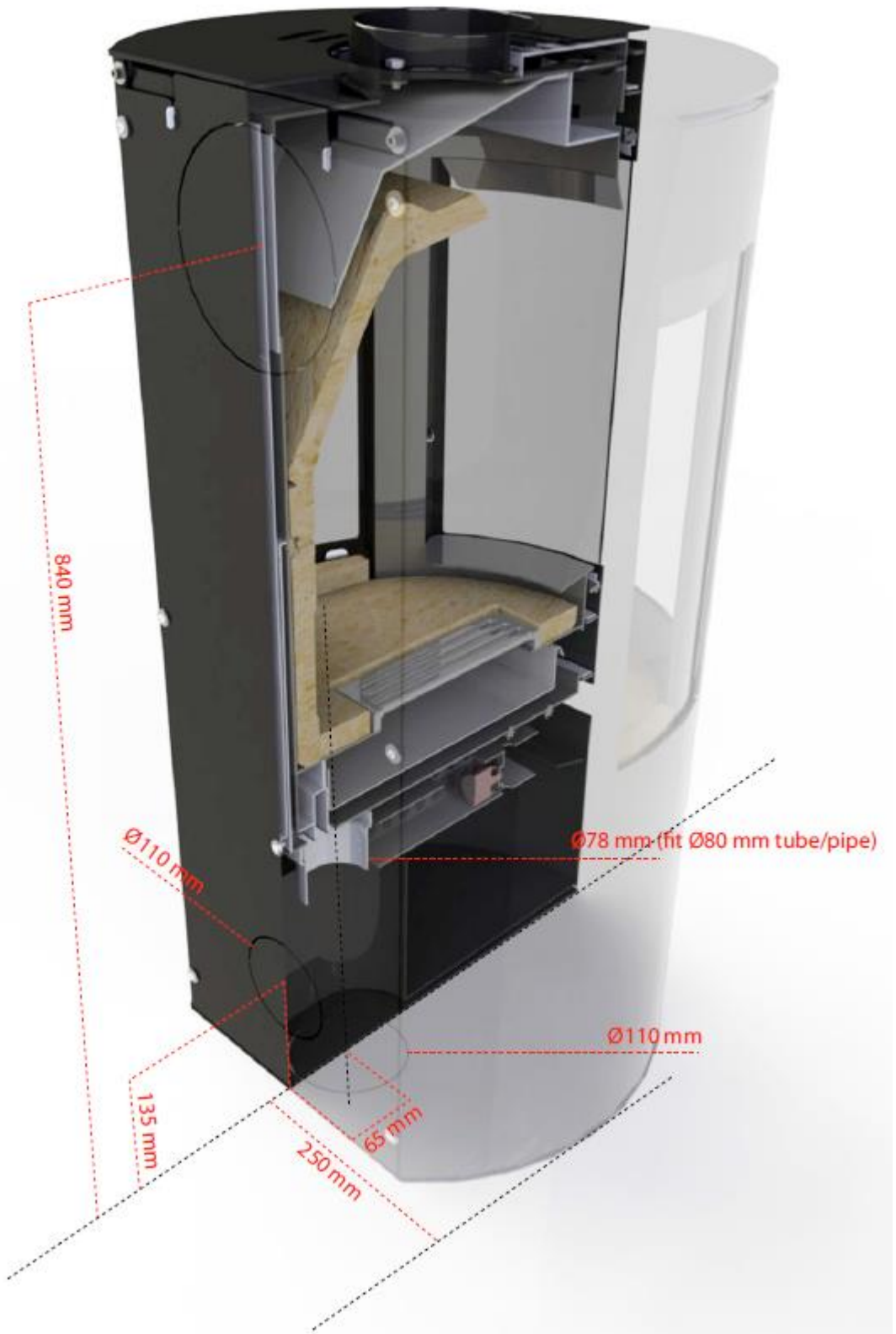


10.

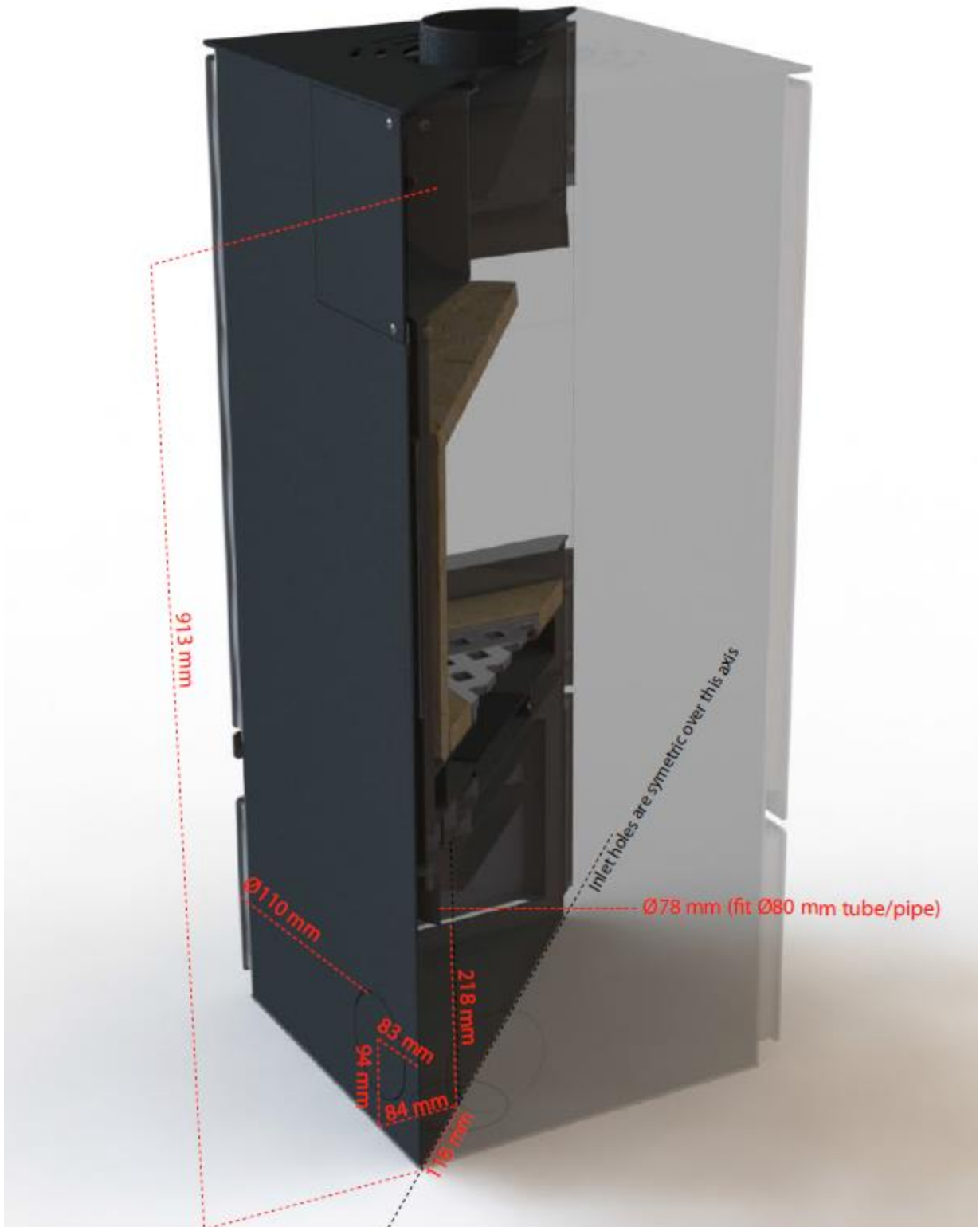


11.

ADURO 9 AIR DIMENSIONS FOR EXTERNAL AIR INLET



ADURO 12 DIMENSIONS FOR EXTERNAL AIR INLET



ADURO 13-1 DIMENSIONS FOR EXTERNAL AIR INLET

